

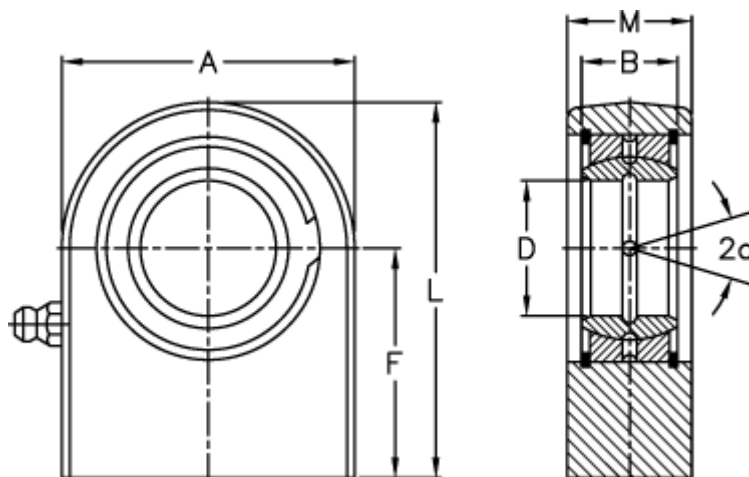
Data Sheet



Article number: 03556110

Description: Fluro hydraulic rod end FS 110N

Measures



A	= 295	Static load C0 (kN) = 2160
a (degrees)	= 6	Weight = 48500
B	= 70	
D	= 110	
Dynamic load C (kN)	= 655	
F	= 185	
L	= 332.5	
M	= 80	